

Welcome
to



V-TECH
BUILDING
SYSTEMS

FUNDERMAX®

for
people
who
create



VEKA

MADE PERFECT. STAYS PERFECT.

German uPVC Windows & Doors Technology

V-TECH
BUILDING
SYSTEMS

INNOVATION THROUGH TECHNOLOGY



EVOLUTION OF WINDOWS & DOORS

The Indian economy has enjoyed steady growth in recent years. The standard of living has increased with higher demands for infrastructure projects, both residential and commercial. With an ever advancing building technology, houses and commercial buildings are being built with the latest technology to provide a higher level of comfort. People now aspire for a quieter, cleaner and visually pleasing home that can enhance their quality of life.

In today's building environment, expectations of windows and doors are high. Windows are one of the most important components of a building. They are responsible for the flow of light and air in and out of the building. They not only provide day lighting but also ventilation.

The materials used for windows and doors have been developing for hundreds of years. From wooden, iron and aluminum windows, assembled in handcraft environments to today's highly precise produced uPVC windows and doors in an industrial set-up.

In the past decade, there have been several radical changes in the field of development of windows. Thermal insulation, performance has been improving continuously and has been integrated with innovative techniques of regulating solar heat and light transmission. Today, we have high performance windows with improved frame materials, multiple panes, gas filling and insulation, which are capable of drastically decreasing energy consumption and thereby, the heating and cooling costs of a building. Such windows also provide acoustic insulation.

You want to experience the world through a window and want to improve the building appearance from outside, **V-TECH WINDOWS** will provide you the best FRAMEWORK for your views.



Window
is a frame to the
picture of **Life**

V-TECH BUILDING SYSTEMS

V-TECH BUILDING SYSTEMS are the manufacturers of comprehensive range of customized uPVC windows and doors systems catering to all residential and commercial building requirements, specializing in the design, manufacture and installation of precision-engineered made to order uPVC window and door systems.

Our objective is to provide customized solution-not just windows and doors- for every specific need with focus on premium quality and professional service.

With rich experience and exposure in the construction industry the conceptualization of **V-TECH BUILDING SYSTEMS** was primarily to achieve excellence in providing uPVC solutions to the Indian market.

We manufacture quality uPVC Windows and Doors at our state-of-the-art 'Manufacturing Facility' with an installed capacity to manufacturing 50 WINDOWS & DOORS per day near ICTS - Hesaraghatta Road, Bangalore, optimally connected to the commercial hubs in the city.

V-TECH BUILDING SYSTEMS are Certified **VEKA** partner. As a sales argument the uPVC Windows & Doors produced by us using comprehensive **VEKA** Profile systems are with unbeatable quality, made to the highest standards and indeed the very basis of our success.

Apart from the Premium series, to address the need for cost-effective and quality uPVC-Windows and Doors for use in Residential projects, **V-TECH** offers an exclusive range of **VEKA i-Series**.

V-Tech Building Systems are the authorised business partner's for **FUNDERMAX** in Karnataka. At V-Tech Building Systems we constantly set benchmarks in designing and installing Facades using **FUNDERMAX-Max Exterior** Panels to meet the visions of architects and clients. Not only to increase the functionality of a Facade but also to add an interesting architectural & visual facet.

V-Tech Building Systems are also the proud partner's for **MARSHALLS** - India's No. 1 Wall Covering. Our wallpapers are perfect for creating a unique statement for any room, helping you turn a dull and plain space into something extraordinary with range of 10000+ themes and designs! source from globally renowned manufacturers across Europe and North America, we offer the latest international fashions in wall covering.



GLOBAL FORCE



OUR GLOBAL ASSOCIATES

VEKA
MADE PERFECT. STAYS PERFECT.

FUNDERMAX®


SAINT-GOBAIN


Roto
Specialist in window hardware

SIEGENIA
SPECIALIST IN WINDOW HARDWARE

KIN LONG
Specialist in window hardware

marshalls
India's No. 1 Wallcoverings

Veka AG Germany has been a major force in uPVC industry for almost as long as the material has been used for Windows & Doors Systems – from its origin in Germany where the technology was first developed, Veka has a product range of over 3000 different profiles to provides a solution for all window & door requirements. Veka Group spans the world with manufacturing facilities in India, Germany, Great Britain, France, Spain, Poland, USA, Russia & Mexico.

V-TECH BUILDING SYSTEMS benefits from its Certified partnership with Veka and through their worldwide network of sales and technical support offices. In India Veka in collaboration with NCL has state of art 150,000 sq ft. facility equipped with fully automated mixing and conveying system. It has a capacity to produce 30,000 Tons of profiles to manufacture over 1.7 million windows annually.

Superior quality profiles are complimented with equally good hardwares. In order for windows to perform & function as well. We understand & appreciate the fact and hence we have associated with the best hardwares available in the industry from the renowned manufacturers worldwide like Roto, Siegenia, Kinlong etc.

Most of the windows are directly exposed to all kinds of weather. Therefore Quality & Strength of window glazing has to be optimal considering the application. V-Tech offers a range of insulating glass units to suit all your requirements through our partnership with Saint Gobain Glass.

Achieving
excellence
through **Global**
partners

FORCES ACTING ON uPVC WINDOWS



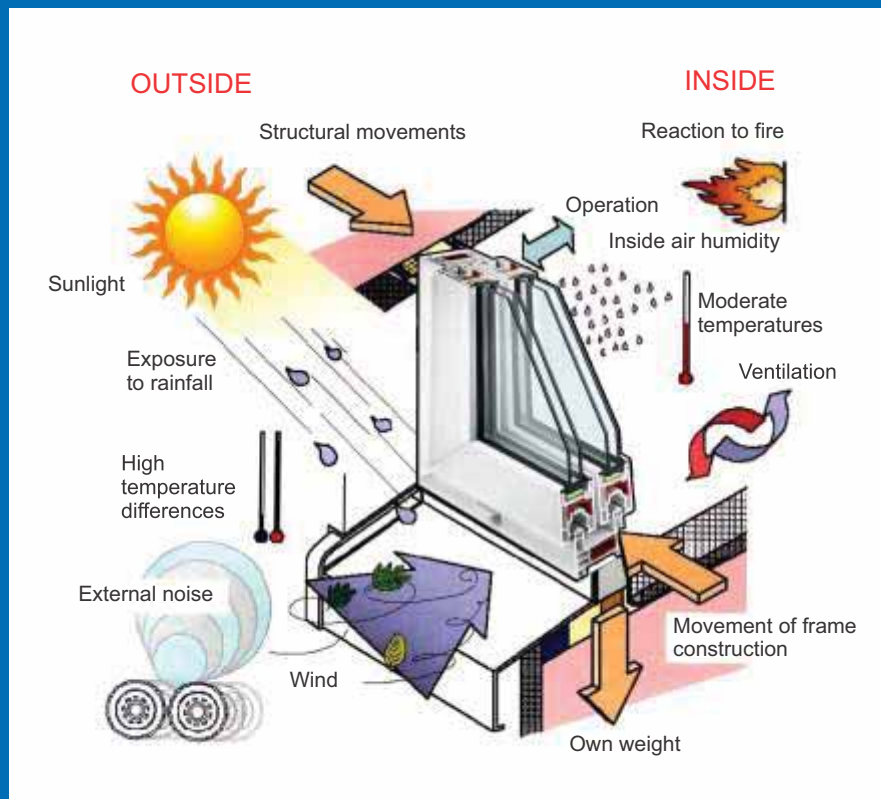
V-TECH BUILDING SYSTEMS gives you an insight to your uPVC windows and help you understand all the technical parameters associated with it.

Forces acting on uPVC Windows & Doors

The strain on uPVC Windows from outside can be divided into impact of the external temperature and humidity, Sunlight, fire, wind, noise and mechanical tampering. The forces acting from inside primarily concern the room temperature and humidity, as well as possible damage through fire or through usage.

Structural movements and tolerance can result from building itself, changes in length and shape of the building component and the weight of the component can have an impact too.

Windows as
Construction
Elements



Sliding Window

Sliding Windows – 2 Track / 3 Track

Features :

Multi Chamber Systems

2 Track & 3 Track Sliding windows with and without Mesh provisions Capable of accepting a wide variety of single & double glazing thickness.



Casement Window

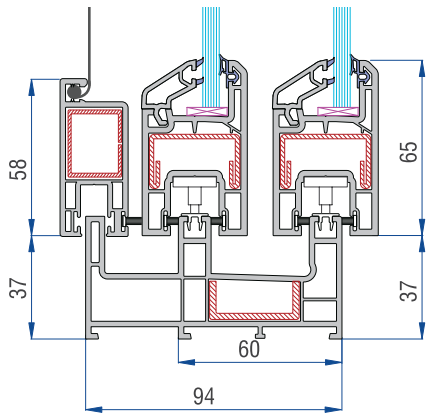
Casement Windows – Inward & Outward opening

Features :

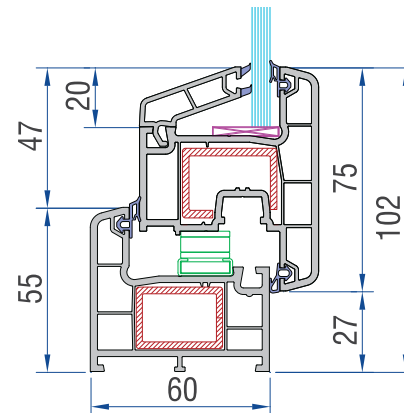
Multi Chamber Systems

Inward & Outward opening provisions

Capable of accepting a wide variety of single & double glazing thickness.



SEC B-B



SEC B-B

V-TECH WINDOW SYSTEMS

Suitable for use in residential development, commercial buildings, factories, schools, hospitals and Hotels. Provides as alternatives to conventional window systems. These types of windows compliance to various performance specific criteria makes it ideally first choice for windows.

Sliding Door

Sliding Doors – 2 Track / 3 Track

Features :

Multi Chamber Systems

With and without Mesh provisions

Capable of accepting a wide variety of single & double glazing thickness.



Casement Door

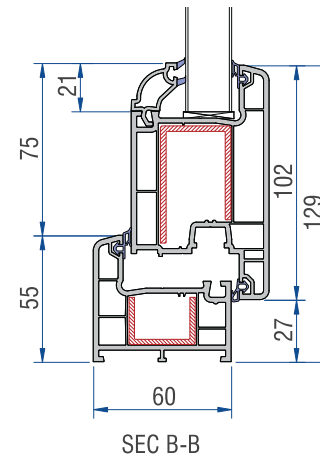
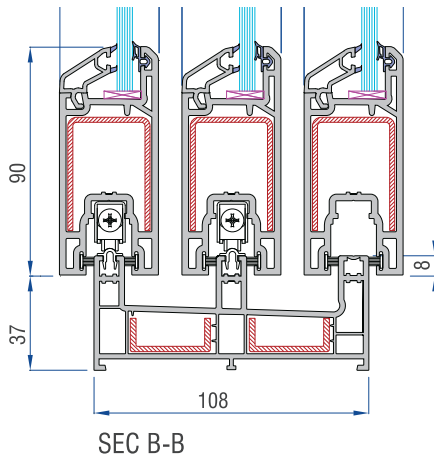
Casement Doors – Inward & Outward Opening

Features :

Multi Chamber Systems

Inward and Outward opening provisions

Capable of accepting a wide variety of single & double glazing thickness.



V-TECH DOOR SYSTEMS

It is especially suitable for use in building developments where climatic conditions in the vicinity or local building codes calls for a window system with higher than normal weather performance capabilities or when higher thermal and sound insulation properties is desired. Commonly used in high quality residential developments like condominiums, bungalows, villas, hotels and top grade commercial buildings.



V-TECH - Slide & Fold

The **V-Tech** Slide and Fold door offers contemporary style, practical design and excellent reliability. The Fold and Slide door provides superior operating performance and smooth integration into any architectural style.



V-TECH -Tilt & Turn

The **V-Tech** Tilt & Turn window is a versatile system and is ideal for many different types of installation from high rise blocks to domestic houses. It is secure, easy to operate and looks stunning with any house style.



V-TECH - Lift & Slide

The **V-Tech** lift and slide door has unequalled ease of use and effortless operation and is a popular choice for opening up large expanses.

This system enables ease moments of large and heavy panels with very little effort whilst having weather tightness thermal and acoustic insulation thus providing with highest level of comfort and greatly enhances the inhabitants living or working environment.

V-TECH SPECIAL MODULES

These systems are widely use in top class buildings structures such as Bungalows or Luxurious Hotels Premium quality Condominiums & Showrooms. These systems are able to satisfy most stringent requirements in terms of weather tightness thermal and acoustic insulation thus providing with highest level of comfort and greatly enhances the inhabitants living or working environment.





WHY V-TECH

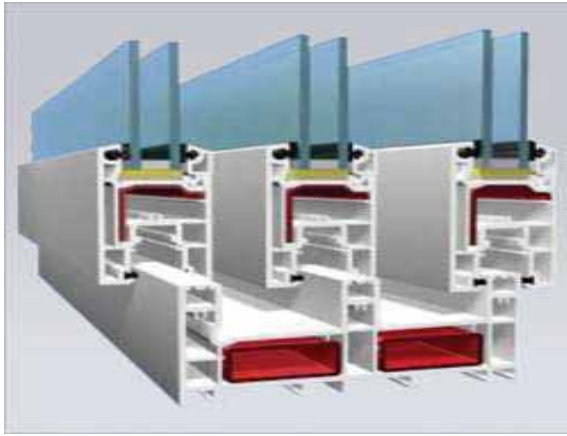
Our products are
Unrivaled in Quality,
Technological Innovation
& Exceptional Design

At V-TECH windows, we understand the importance of quality and have structured our processes to build and install windows and doors of the highest quality.

Starting from our very initial call to you or from your initial contact with our sales team through the initial quote, order confirmation, manufacturing quality assurance, delivery, site inspection, installation, post installation, quality check and continued through service requests, we rely on well defined processes and strive hard to execute these processes to our best ability.

At V-TECH windows, we believe that strong processes are our core competency and a key differentiation between the competition and us.

Whatever be your need: Performance, Aesthetics, Flexibility, Efficiency and Safety.



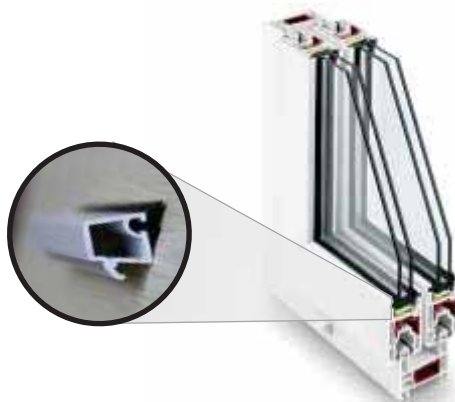
Multi Chamber

Multi Chamber design with internal webs for additional stability, provides excellent heat and sound insulating properties



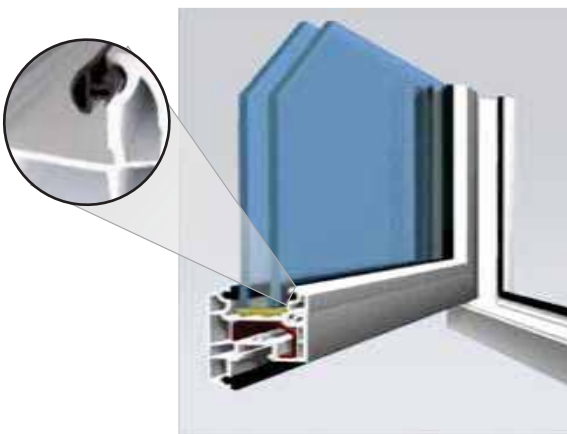
Euro Groove

Euro groove designed to European standards allows for wide variety of industrial available hardware and multi locking mechanisms to be easily installed to provide maximum security



Glazing

Enhanced stability with glazing rebate height and specific glazing Block and Glazing wedges for different Glass thickness facilitates with choosing glazing beads of different sizes

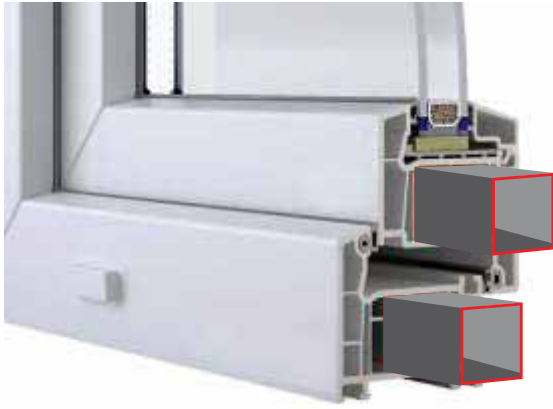


Twin Seals

Twin Seals of internal and external EPDM gaskets improves air and water tightness



BENEFITS OF V-TECH WINDOWS



Reinforcement

Isolated amply dimensioned Strong galvanized Steel reinforcement imparts high inertia strength and stability to the windows & Doors



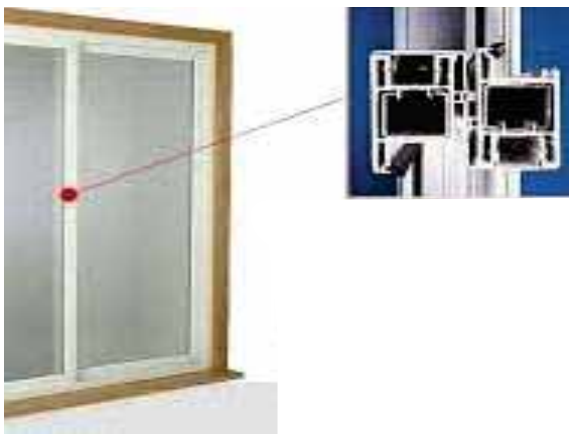
Drainage Chamber

Specially designed drainage and pressure equalization chambers prevents energy losses, drought and entry of dust particles.



Screw Ports

Specially designed screw ports in profiles facilitates hardware installation, whilst at the same time ensuring the hardware is properly secured.



Interlock

Special Interlock profiles used in conjunction with twin brush seals improves insulation performance of sliding doors and windows.





FUNDERMAX®

What matters more in life? The outer appearance or inner qualities? Anyone looking for a material for exterior wall cladding, rain screen facades, or balcony terraces no doubt already has the answer...

Both are equally important when it comes to selecting the very best rain screen facade materials. Particularly in the case of exterior wall cladding and balcony applications. High quality is a pre-requisite. The decorative facade must meet extreme requirements. After all, we're talking about protecting a building and its lifespan. The outer appearance is just as vital. It is an expression of individuality. A lifestyle statement. A very personal declaration. That's why the design of your rain screen facade is as crucial as its intrinsic qualities.

Max Exterior from **FUNDERMAX**, is a highly durable exterior wall cladding product that is constantly undergoing further development to ensure both of these aspects can be depended upon. Just as the range of rain screen applications is becoming increasingly diverse, so the range of decors is also achieving continually new dimensions in terms of nuances and variety. Now you can even choose your very own 'individual' décor for your rain screen cladding so that you can really express your creativity. **FUNDERMAX** exterior wall cladding collection remains true to its success factors and, whatever décor is used, will always stand for consistent protection and uncompromising strength.

for
people
who
create

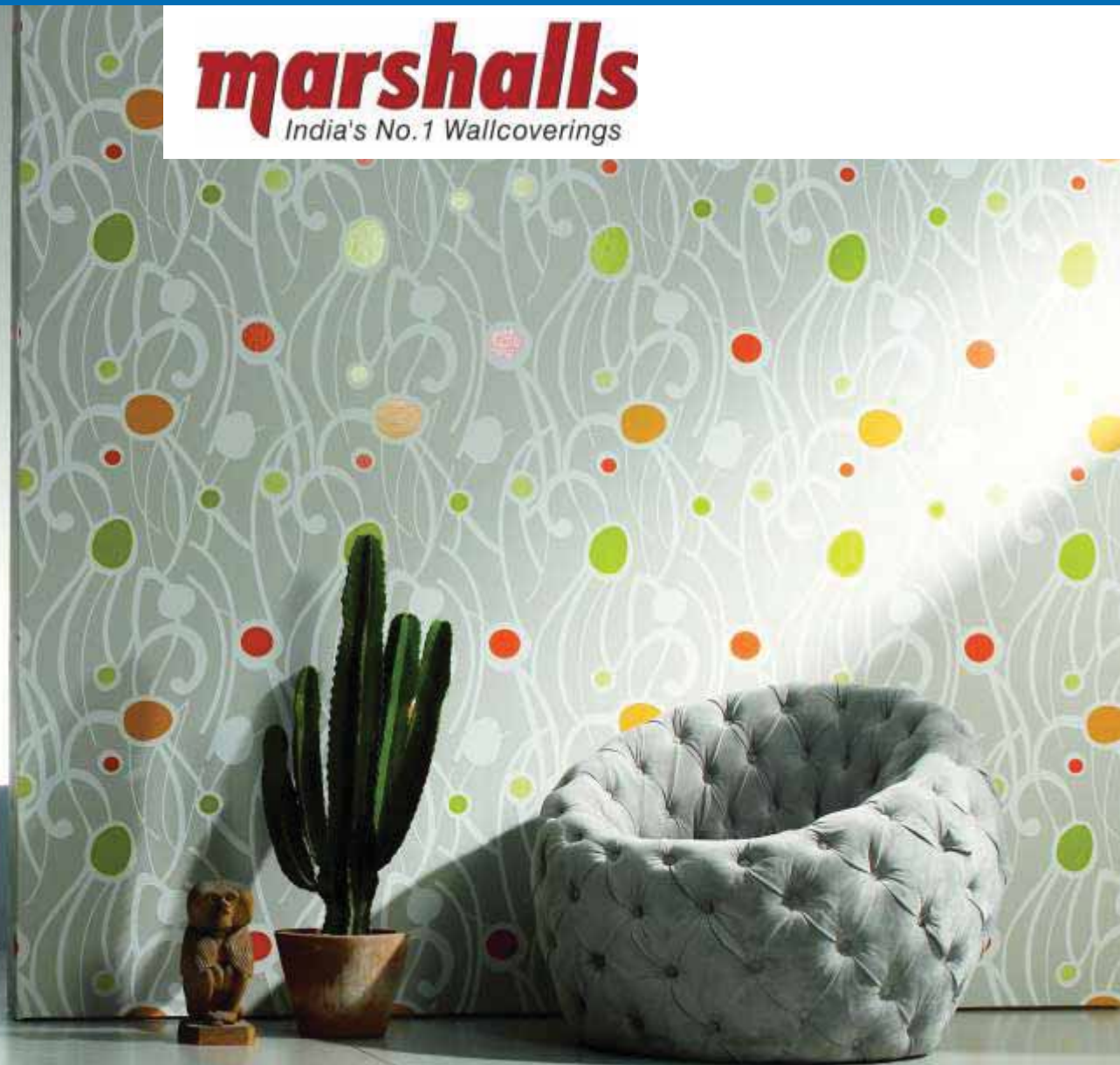
Wall Coverings We Live within 4 Walls

Put your aspirations on your wall !

Our wallpapers are perfect for creating a unique statement for any room, helping you turn a dull and plain space into something extraordinary.

Marshalls wall coverings gives a true aesthetic and vibrant look to your walls with a range of 10,000+ themes and designs! Sourced from globally renowned wallpaper manufacturers across Europe and North America, we offer the Latest International Fashions in wall coverings.

marshalls
India's No.1 Wallcoverings



COMPLETED PROJECTS



Our vision is to provide complete uPVC windows and doors solutions with high quality, precision engineering which has value for money

Just as many
Smiles Miles of
V-Tech.....



OUR STRENGTH



Premium
Products
with Quality

V-Tech Building Systems was established in 2012 with a team of professionals having strong experience in the building material industry. Currently having a state-of-art manufacturing unit of 20000 sqft with advanced machineries and dedicated work force of 50 employees at factory. **V-Tech** has facilitated with residential quarters for employees.

To be more closely connected with customers **V-Tech** has an Experience Centre with Sales & Service office at Rajajinagar, Bangalore.

Such a reputation as **V-Tech** has for expertise and experience can only be maintained with serious dedication to the training and support at all levels, that's the reason that V-Tech has put in dedicated efforts and investments to build upon the support infrastructure and human resource.

The unparalleled success and rise of **V-Tech** can be attributed to the three fundamental strengths.

- ◇ Technological Advantage
- ◇ International Know-how
- ◇ Uncompromising quality assurance & improvement





V-TECH BUILDING SYSTEMS

Head Office:

No. 693, M.N.S. Arcade, East Facing, 3rd Floor,
Dr. Rajkumar Road, 6th Block, Rajajinagar,
Bengaluru - 560 010.

Ph. No.: 080-23101277

Cell: +91 **99801 11468, 97404 22863**

E-mail: vtechbuildingsystems@gmail.com

Web: www.vtechwindows.com / www.vtechfacade.com

Works:

No. 162/1, N.S.R. Complex, East Facing,
Beside ICTS, Kalenahalli, Shivakote,
Hesaraghatta, Bengaluru - 560 089.

Branch Office :

23, Niketana Garden, Jawali Plot,
Gokul Road, Hubballi, - 580 030.



Our Channel Partners